



用户侧储能系统 解决方案

Low Voltage Energy Storage System
Solutions

股票代码: 002335

集约高效 智能领跑



30

专注电力电子技术 30 年
30 years' power conversion experience

10 GW +

累计装机容量数值超过 10GW+
10GW+ accumulated solar installations
worldwide

500

连续三年入选全球新能源企业 500 强
Awarded as the world's top 500 new energy
companies for 3 years

100 +

服务于全球 100+ 国家和地区
Applied in 100+ countries and regions

25%

研发人员 900+, 占员工比 25%+
Over 900 R&D engineers, 25% of all employees

9%

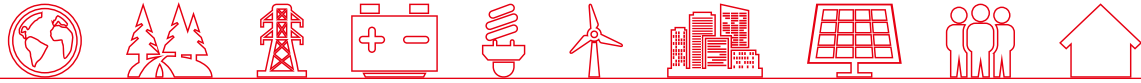
研发投入逾 2 亿, 占营收近 9%
More than 200 million of R & D investment,
accounting for nearly 9% of revenue

600 +

600+ 项国家专利软件、著作权等知识产权
600+ intellectual properties including software
patents, copyright and etc

60 +

参与国家和行业标准的制定 60 余项
Participated in the formulation of more than 60
national and industry standards



厦门科华恒盛股份有限公司是行业首批“国家认定企业技术中心”、“国家火炬计划重点项目”承担单位、国家重点高新技术企业、国家技术创新示范企业和全国首批“两化融合管理体系”贯标企业。公司拥有智慧电能、云服务、新能源三大业务体系，产品方案广泛应用于金融、工业、交通、通信、政府、国防、军工、核电、教育、医疗等行业，服务全球 100+ 国家和地区的用户。

目前，科华恒盛新能源业务涉及光伏、微网、储能、风电等，为全球提供光伏逆变器、储能变流器、监控系统等产品解决方案及项目投资、开发、建设、运维等服务，致力为全球提供一流的光储能源解决方案。

KEHUA is one of the industry's first "State-Accredited Enterprise Technology Centers", undertaker of "Key National Torch Project", "National Key High-Tech Enterprise" and "National Technology Innovation Demonstration Enterprise" and one of the first enterprises with accredited "integrated informatization and industrialization management system". With three business systems of critical power, renewable energy and cloud service, Kehua's production has been widely used in the industry of finance, industry, traffic, telecom, public, military, nuclear, education, medical etc., installed in over 100 countries and regions.

Now, Kehua renewable energy business (PV, energy storage, Micro-grid and wind power) provides the product of solar inverter, energy storage converter, monitoring system and the service including investment, development, construction and o&m, devoting in the global first-rate solar energy and energy storage solution.

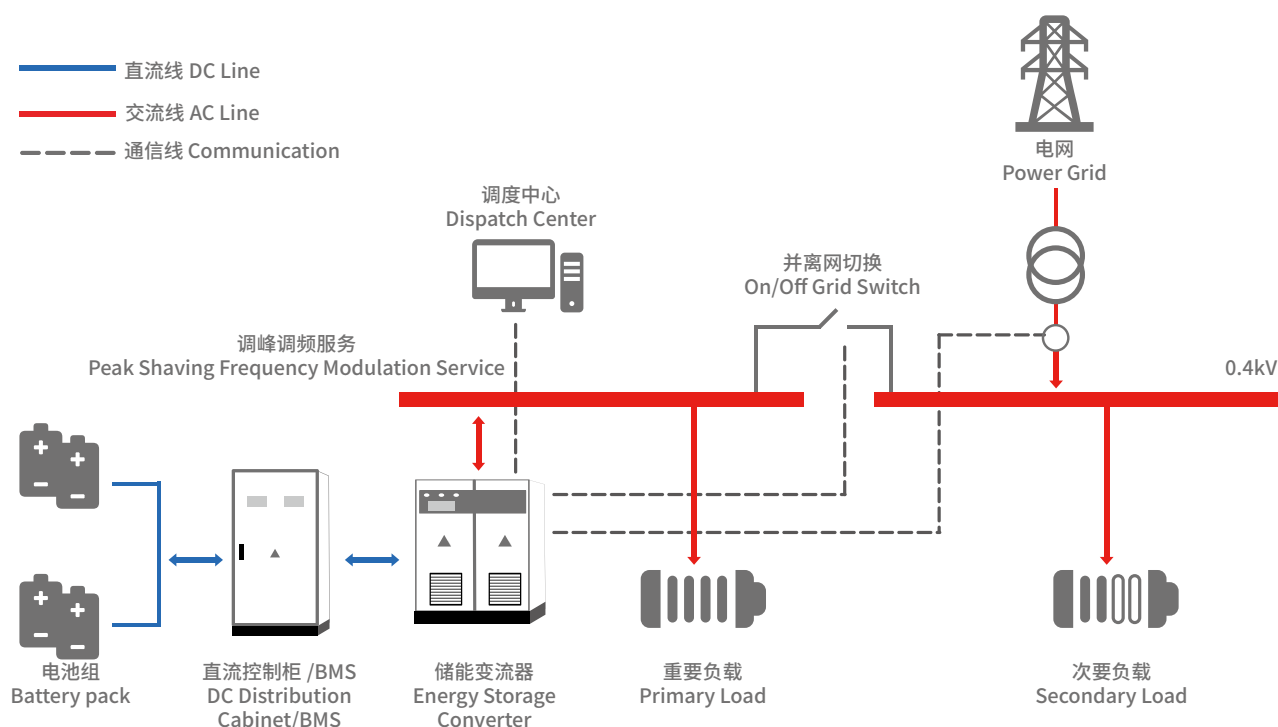
合作伙伴（部分） | Partners (part)



重点推广国家 | Key countries



商业与工业用户侧并网储能解决方案



模式一: 削峰填谷

Mode 1: Peak Shaving Mode

适用范围

Application

- 日用电负荷波动比较大, 如大型商场、写字楼、工厂、企业, 充电站等场所
- Electric load fluctuation is relatively large application place, e.g. super market, office building, factory, charging station etc
- 具有峰谷电价差的场所, 用电量
- Peak-trough electricity price difference

工作模式

Working Mode

- Energy storage system connected, store electricity during the trough period and use during peak time to achieve peak load shifting

Commercial and industrial user-side on-grid & energy storage system solutions

模式二: 配电系统扩容

Mode 2 : Distribution System Expansion

适用范围

Application

- 用电负荷增大, 原有配电容量不足的情况
- Load increased, insufficient original power distribution capacity

工作模式

Working Mode

- 当用户需增大用电负荷时, 原有配电容量不足; 增加储能系统, 可达到扩容作用
- When the user needs to increase the power load, the original power distribution capacity is insufficient; connected with energy storage system to achieve capacity expansion

模式三: 平滑负荷

Mode 3 : Smoothing Load

适用范围

Application

- 用电负荷为间歇性负荷的情况, 如充电站, 体育中心等
- Where electricity is used for intermittent loads, such as charging stations, sports center etc

工作模式

Working Mode

- 储能系统在用电尖峰时刻放电, 削减负荷的变化率, 达到平滑负荷的目的
- The energy storage system discharges at the peak of power consumption, reduces the rate of change of the load, and achieves the purpose of smoothing the load

模式四: 应急供电

Mode 4 : Emergency Power Supply

适用范围

Application

- 具有不同负荷等级或消防应急供电场合 (如金融、证券、商场, 工厂等)
- With different load levels or fire emergency power supply applications (such as finance, securities, shopping malls, factories, etc.)

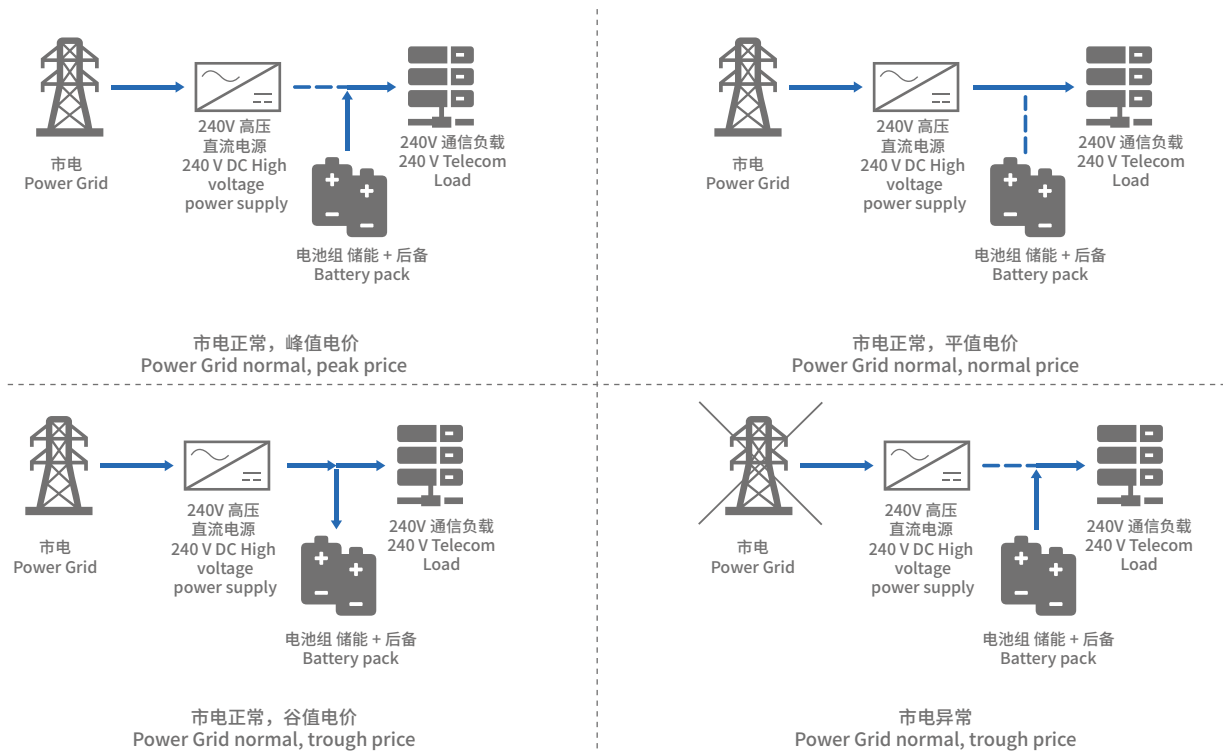
工作模式

Working Mode

- 在市电停电时, 储能系统离网运行, 可选择性卸掉次要负荷; 保障重要负荷供电可靠
- In the event of mains power failure, the energy storage system operates off-grid mode and selectively remove secondary loads to ensure main load power supply;
- 当有市电时, 储能系统并网运行, 可削峰填谷
- When main power recovered, the energy storage system is connected to the grid and achieve peak load shifting

应用场合一 Application 1

IDC 通信机房储能 (240V 直流) 系统 IDC Communication Room Energy Storage (240V DC) System



适用范围:

Application:

- IDC 通信机房, 直流电负荷的供电系统
- IDC communication room, DC power supply system

工作模式:

Working Mode:

- IDC 通信机房 (240V 直流) 系统中电源保障是信息安全系统必不可少的; 而 IDC 通信机房储能系统只需在原有设备的基础上增加电池容量设置, 可以更好的保障后备时间, 同时部分电池可用于削峰填谷, 赚取电价差盈利
- The power supply protection in the IDC communication room (240 V DC) system is essential for the information security system; however, the IDC communication room energy storage system only needs to increase the battery capacity setting on the basis of the original equipment, which can better guarantee the backup time, and at the same time Battery can be used to peak load shifting to earn profit margin

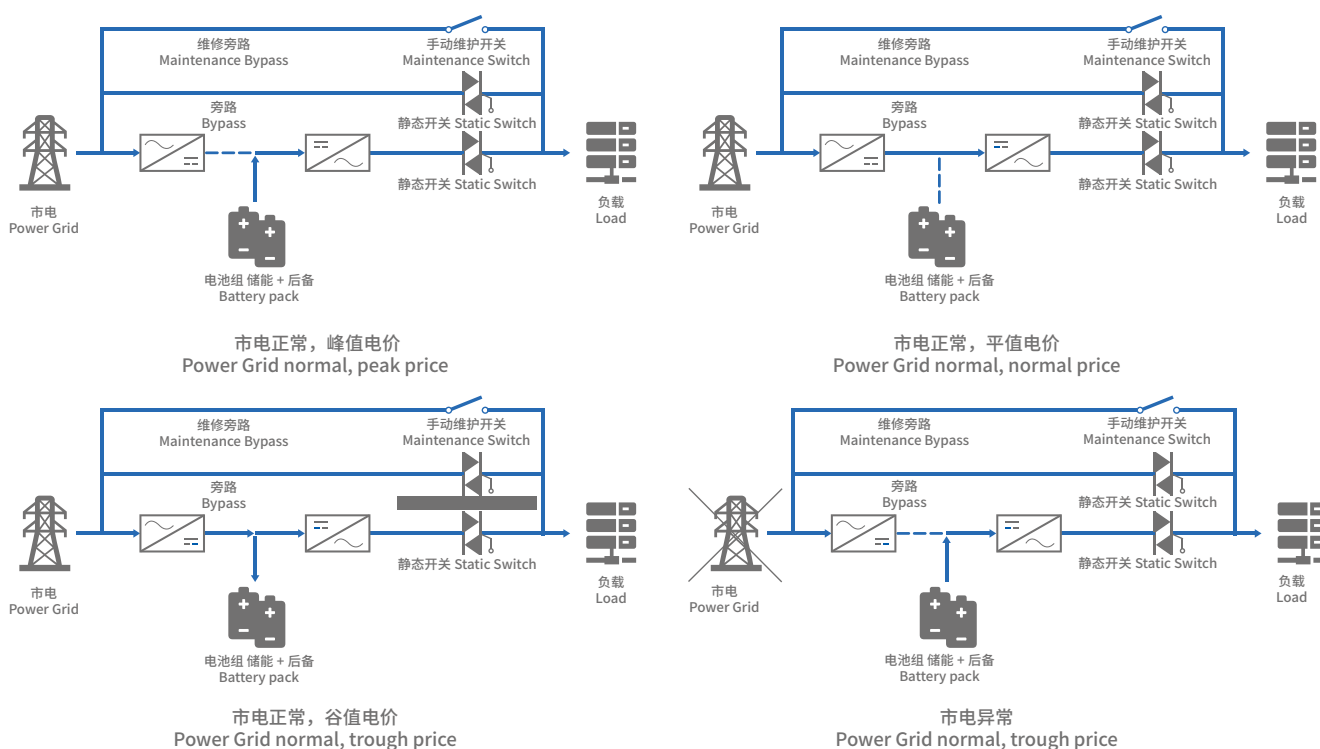
客户价值:

Benefits:

- 后备供电更有保障 Backup power is more secured
- 提高电池利用率, 增加盈利点 Improve battery utilization and increase profitability
- N+1 热备份, 可靠性高 N + 1 hot backup with high reliability
- 智能充放电管理 Intelligent charge and discharge management

应用场合一 Application 1

基于 UPS 储能系统 Based on UPS energy storage system



适用范围:

Application:

- 刚需 UPS 用户, 对电能质量与供电可靠性要求高的场合。如工业企业, 金融, 数据中心等
- UPS users, where high demands on power quality and power supply reliability. Such as industrial enterprises, finance, data centers, etc

工作模式:

Working Mode:

- 逆变优先, 对 UPS 系统的电池扩容, 适当增加电池容量, 部分容量用于后备, 部分容量用于削峰填谷
- Inverter priority, battery expansion of the UPS system, appropriate increase in battery capacity, part of the capacity for backup, part of the capacity for peak load filling

客户价值:

Benefits:

- 兼顾储能与后备 Balance energy storage and backup
- 低投入, 高收益 Low investment, high yield
- 改造工程量小 Small renovation project
- 高电能质量 High power quality

产品

三相储能变流器
Three Phase Energy
Storage Converters

三相储能变流器
Three Phase Energy
Storage Converters

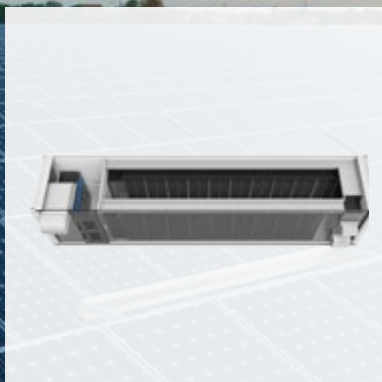


Products

箱式储能系统
Container ESS System

EMS 能量管理系统
EMS--Energy
Management System

EMS 能量管理柜
EMS ——Energy
Management Cabinet





高保障的 Assured
应时而动 Apropos
主动的 Active

科华恒盛坚持“主动服务，用户至上”的服务理念，建立主动式三级服务体系，以直属网点、区域技术服务中心、用服中心与总部研发为支撑，提供预防性主动服务。目前，科华恒盛在全国建立 16 个技术服务中心、50+ 厂家技术服务网点，可为客户提供“高保障、应时而动、主动”的 3A 服务。

Kehua Hengsheng insists on the service concept of "active service and customer first", and establishes an active three level service system, which is supported by direct network, regional technical service center, service center and headquarters, and provides preventive active service. At present, Kehua Hengsheng has established 16 technical service centers and 50+ technical service outlets throughout the country. It can provide customers with "high security, active and active" 3A services.



厦门科华恒盛股份有限公司

地址:中国福建省厦门火炬高新区火炬园马垄路457号

邮编:361006

电话:0592-5160516

传真:0592-5162166

400-808-9986

www.kehua.com.cn

Xiamen Kehua Hengsheng Co., Ltd.

Add: No. 457, Malong Road, Torch High-Tech Industrial Zone, Xiamen Fujian 361006 China

Tel: +86-592-5160516

Fax: +86-592-5162166

Email: Intertrade@kehua.com

www.kehua.com

版本号 (Version No.) :20181119

